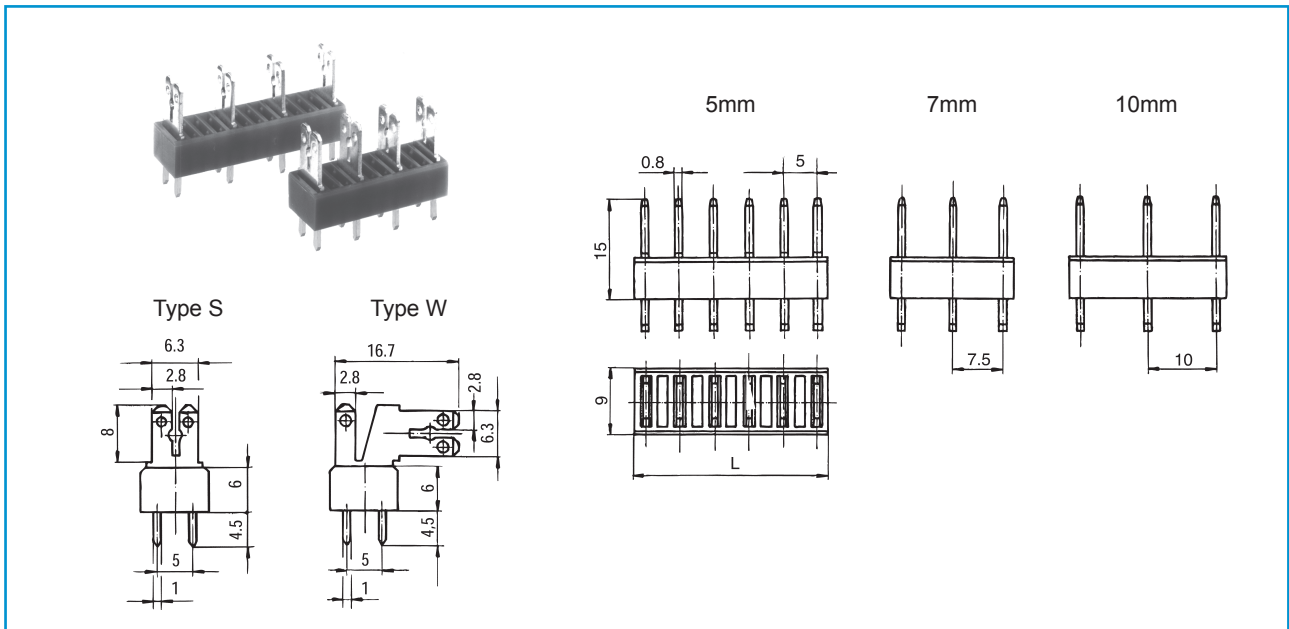


Tab type printed circuit connectors

SERIES 900S/W Top and side entry - tab type



FEATURES

Series 900S/W tab type connectors provide for tab type connection to printed circuit boards. The tabs are mounted in high quality housings which are fitted with tabs at 5mm, 7.5mm or 10mm pin spacing. They are available in lengths from 2 to 25 pole in 5mm pitch, 2 to 17 pole in 7.5mm pitch and 2 to 13 pole for 10mm pitch.

900S series tabs are split design to allow either 1 - 6.3 x 0.8mm receptacle or 2 - 2.8 x 0.8mm receptacles to be fitted.

900W series tabs are mounted to allow either 1 - 6.3 x 0.8mm or 2 - 2.8 x 0.8mm receptacles in a horizontal mode and 1 - 2.8 x 0.8mm receptacle in a vertical mode.

Approvals		
Nominal Cross-Section mm ²	15A	15A
Voltage Rating	V 300	300

TECHNICAL DETAILS

Mouldings:	nylon 6.6, UL94 V0
Colours:	red or grey
Tabs:	brass, tinned
Current rating:	2.8 x 0.8mm tabs - 6A 6.3 x 0.8mm tabs - 15A
Voltage rating:	to VDE 0110, pollution degree 3. 5mm spacing: 250v ~ 7.5mm spacing: 500v ~ 10mm spacing: 600v ~
Tracking distance:	CTI > 600
Conductor size:	2.8 x 0.8mm - 1.5mm ² 6.3 x 0.8mm - 2.5mm ²
Temp limits:	max short term: 140° C continuous: RTI 105° C
Pin spacing:	5mm, 7.5mm or 10mm
Recommended hole dia. in p.c. board:	1.3mm

OPTIONS

Marking: consecutive numbering, lettering or special printing available. Please provide sketch.

Pin spacing: all types are available in 10mm pitch. Please enquire for details.

